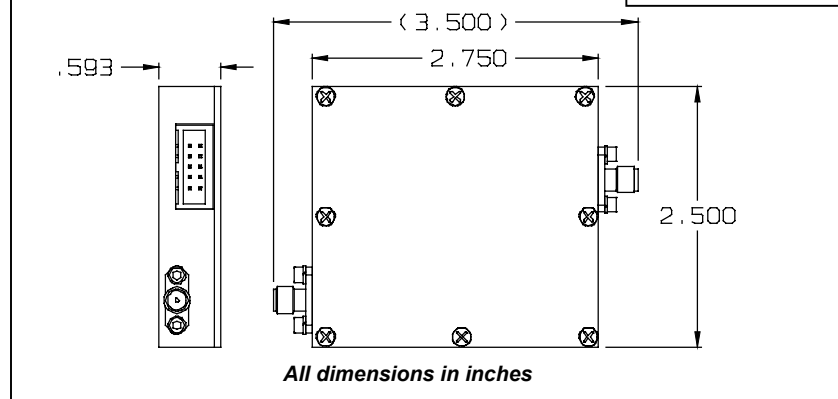


SYN8.8-10E-01 Signal Source



Outline Drawing



Features:

- Low Phase Noise
- Low Spurious Content
- Low Power
- Low Cost

Overview

A self-contained X-Band synthesizer with an internal 1.0ppm frequency reference. Available in several frequency ranges.

Electrical Specifications:

Frequency Band:	8.8 to 10 GHz or 9.5 to 10.7 GHz
Power Output:	+8 dBm min
Power Flatness:	±1.5 db max
Phase Noise:	-110 dBc/Hz @ 1 MHz offset
Harmonics & Subharmonics:	-18 dBc max
Tuning & Linearity:	Digitally tuned
Temperature Stability:	1 ppm over temperature range
Impedance:	50Ω
DC Power:	+15V @ 200mA

Mechanical Specifications:

Dimensions: 2.750" x 2.500" x 0.593"
Connectors: SMA(f) x2, 10p Header

Environmental Specifications:

Operating Temperature: -25°C to +55°C